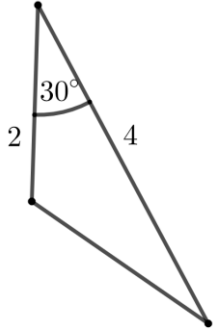
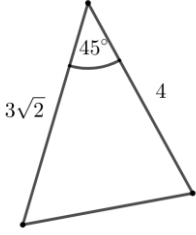
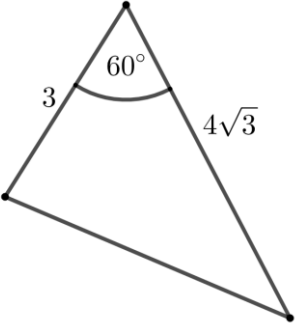
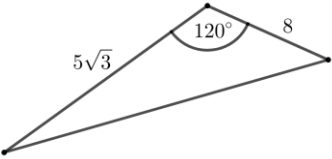
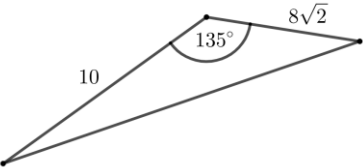
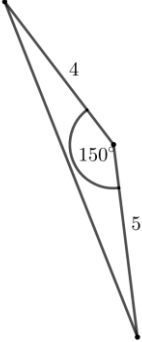
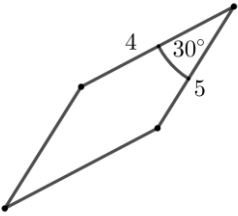
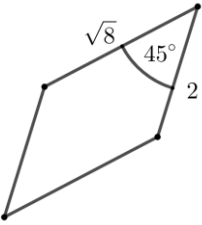
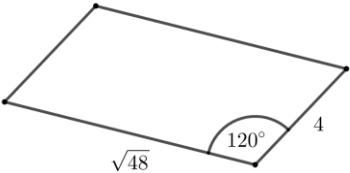
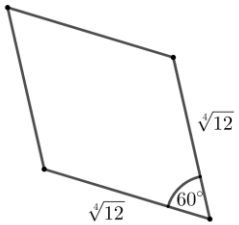
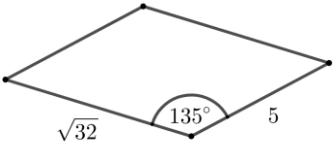
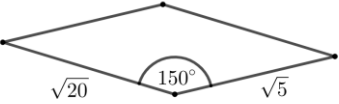


Task 1. Find the area of a triangle - Answers

		
Area = 2	Area = 6	Area = 9
		
Area = 30	Area = 40	Area = 5

Task 2. Find the area of a parallelogram - Answers

		
Area = 10	Area = 4	Area = 24
		
Area = 3	Area = 20	Area = 5