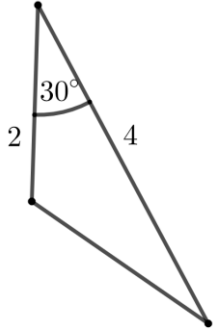
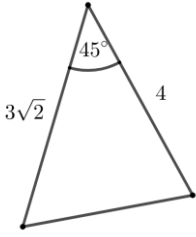
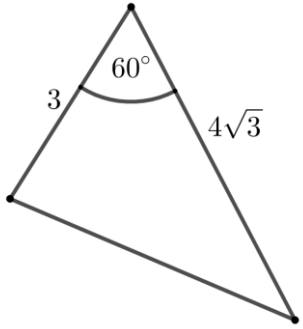
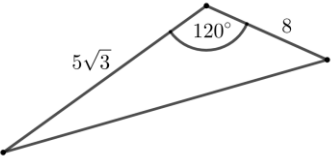
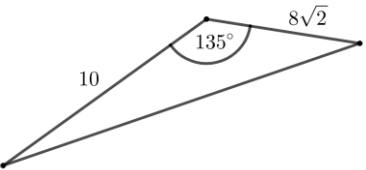
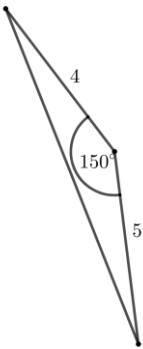
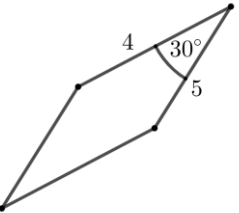
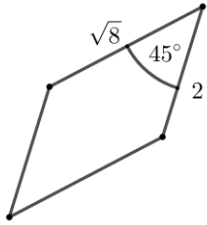
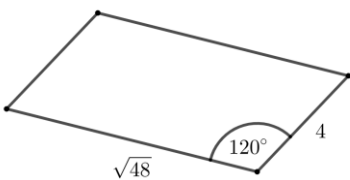
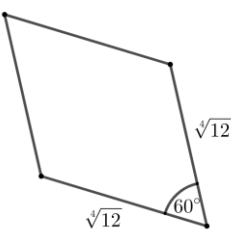
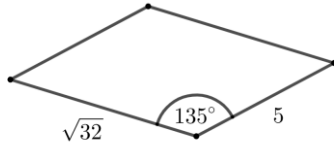
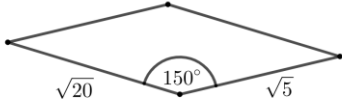


**Task 1.** Find the area of a triangle.

		
Area =	Area =	Area =
		
Area =	Area =	Area =

**Task 2.** Find the area of a parallelogram.

		
Area =	Area =	Area =
		
Area =	Area =	Area =